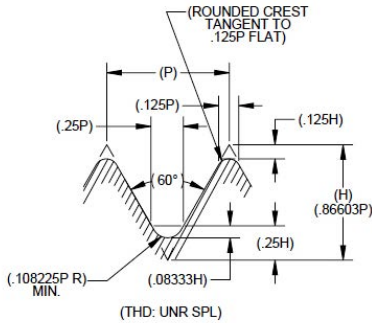
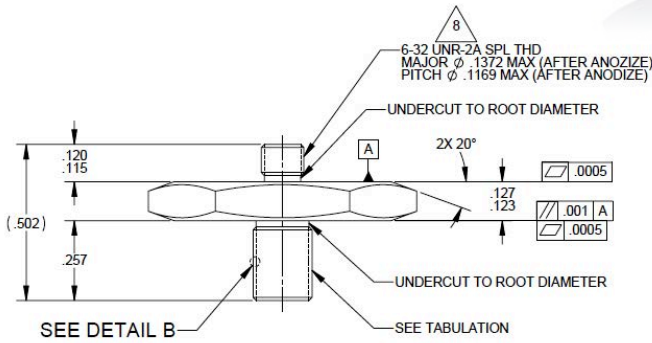


# Mounting adapter 42674

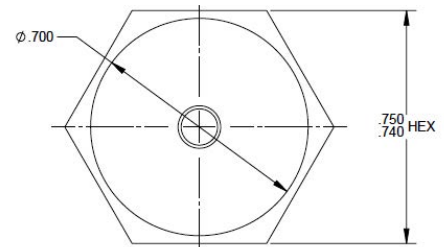
## Accessory



**DETAIL B**  
ROTATED 90°  
SCALE: NONE



DASH NO.	THREAD	TABULATION			
		MAJOR $\phi$ (BEFORE ANODIZE)	MAJOR $\phi$ (AFTER ANODIZE)	PITCH $\phi$ (BEFORE ANODIZE)	PITCH $\phi$ (AFTER ANODIZE)
42674-1	10-32 UNR-2A	.1811 - .1871	.1891 MAX	.1634 - .1648	.1688 MAX
42674-2	1/4-28 UNR-2A	.2372 - .2470	.2490 MAX	.2185 - .2218	.2258 MAX
42674-3	M6 X 1 - 6g	.22611 - .23320 [57.431 - 59.232]	.23520 [59.740] MAX	.20120 - .20561 [51.104 - 52.224]	.20961 [54.240] MAX
42674-4	M5 X 0.8 - 6g	.18800 - .19291 [47.752 - 49.253]	.19591 [49.761] MAX	.16769 - .17143 [42.593 - 43.543]	.17543 [44.559] MAX



## Description

Isolated mounting adapter with 3/4 inch hex for use with accelerometers with a 6-32 thread.

## Specifications

	42674-1	42674-2	42674-2	42674-4
Thread size, mounting side	10-32	1/4-28	M6	M5
Thread size, accel side	6-32	6-32	6-32	6-32
Material	Anodized aluminum	Anodized aluminum	Anodized aluminum	Anodized aluminum
Weight (Grams)	2.9	3.0	3.0	2.8
Isolated	Yes	Yes	Yes	Yes

