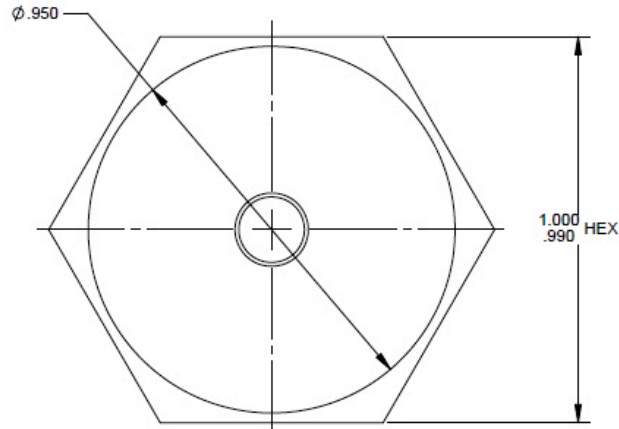
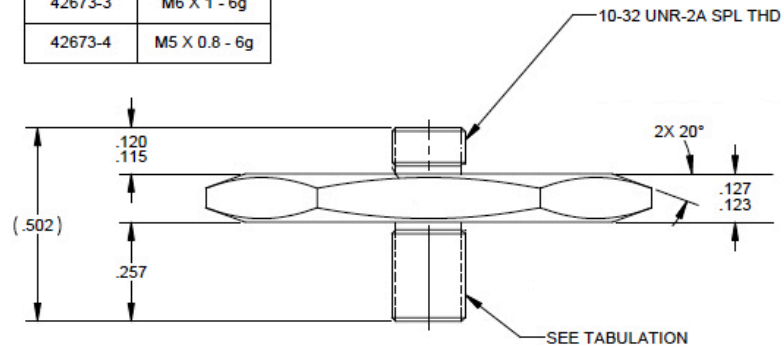


Mounting adapter 42673

Accessory



| TABULATION | |
|------------|---------------|
| DASH NO. | THREAD |
| 42673-1 | 10-32 UNR-2A |
| 42673-2 | 1/4-28 UNR-2A |
| 42673-3 | M6 X 1 - 6g |
| 42673-4 | M5 X 0.8 - 6g |



Isolated mounting adapter with 1 inch hex for use with accelerometers with a 10-32 thread.

Specifications

| | 42673-1 | 42673-2 | 42673-3 | 42673-4 |
|----------------------------|-------------------|-------------------|-------------------|-------------------|
| Thread size, mounting side | 10-32 | 1/4-28 | M6 | M5 |
| Thread size, accel side | 10-32 | 10-32 | 10-32 | 10-32 |
| Material | Anodized aluminum | Anodized aluminum | Anodized aluminum | Anodized aluminum |
| Weight (grams) | 5.2 | 5.2 | 5.1 | 5.0 |
| Isolated | Yes | Yes | Yes | Yes |



Continued product improvement necessitates that Endevco reserve the right to modify these specifications without notice. Endevco maintains a program of constant surveillance over all products to ensure a high level of reliability. This program includes attention to reliability factors during product design, the support of stringent Quality Control requirements, and compulsory corrective action procedures. These measures, together with conservative specifications have made the name Endevco synonymous with reliability. 082619