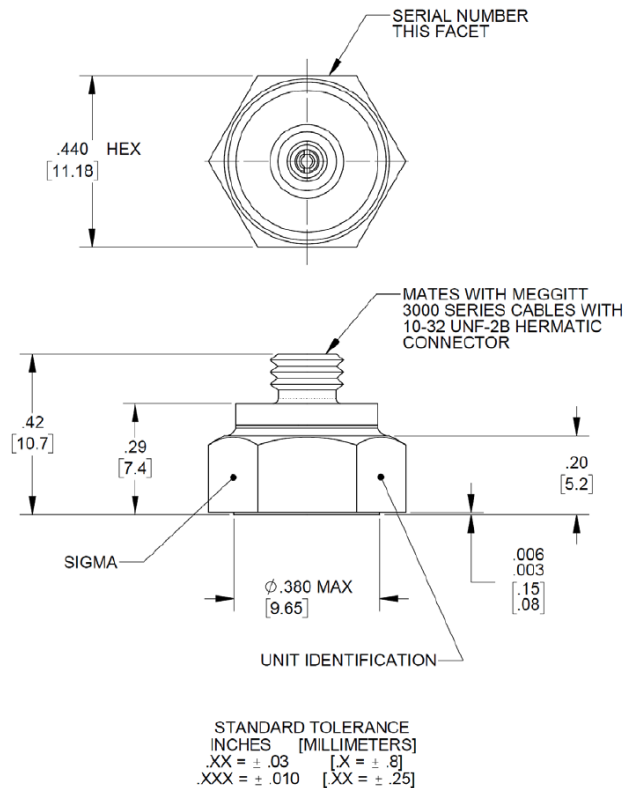


Isotron® accelerometer

Model 2256B



Key features

- Small, lightweight (4 gm) single axis Isotron® accelerometer
- 10-32 top connector
- Hermetically sealed
- Signal ground isolated from mounting surface

The Endevco® model 2256B is a small piezoelectric accelerometer with integral electronics, designed specifically for making modal and general vibration measurements on small structures and objects. The transducer is designed for adhesive mounting and features an anodized aluminum hex base for electrical isolation. It is hermetically sealed to provide long-term reliability even in harsh environments. Its light weight (4 gm) effectively minimizes mass loading effects. Additionally, the unit features an annular shear crystal which exhibits excellent output stability over time.

The 2256B is available in two sensitivities designated by its model number suffix. The 2256B-10 has an output sensitivity of 10 mV/g and the 2256B-100 has an output sensitivity of 100 mV/g.

Isotron® accelerometer Model 2256B

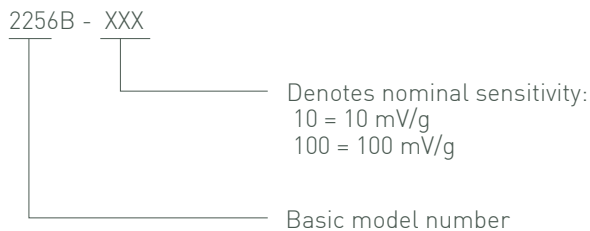
Specifications

The following performance specifications conform to ISA-RP-37.2 and are typical values, referenced at +75°F (+24°C), 4 mA, and 100 Hz, unless otherwise noted. Calibration data, traceable to National Institute of Standards and Technology (NIST), is supplied.

Dynamic characteristics	Units	2256B-10	2256B-100
Range	g	±500	±50
Sensitivity ±10%	mV/g	10	100
Frequency response			
Resonance frequency Typical	kHz		25
Amplitude response ±10%	Hz		1 to 10 000
Temperature response			
-67°F (-55°C) max	%		-15
+257°F(+125°C) max	%		+5
Transverse sensitivity	%		≤5
Amplitude linearity	%		≤ +1 to full scale
Electrical characteristics			
Output polarity		Acceleration directed into base produces positive output	
DC output bias voltage			
Typical	Vdc		+12.3 to +13.5
-67°F to +257°F (-55°C to +125°C)	Vdc		+7.0 to +16.0
Output impedance	Ω		≤200
Noise floor			
Broadband			
0.5Hz to 10 kHz, typical	g rms	0.001	0.0003
Grounding method		Signal ground connected to inner case but isolated from outer housing	
Power requirements			
Supply voltage	Vdc		+23 to +30
Supply current	mA		+2 to +20
Warm-up time	s		8
Environmental characteristics			
Temperature range, operating		-67°F to +257°F (-55°C to +125°C)	
Humidity		Hermetically sealed	
Vibration limit (sinusoidal motion)	g	1000	
Shock limit	g pk	2000	
Base strain sensitivity at 250 μstrain	g/μstrain	0.0008	
Electromagnetic sensitivity	equiv. g rms/gauss	0.0001	0.00001
Physical characteristics			
Dimensions		See outline drawing	
Weight, maximum	gram (oz)	4 (0.14)	
Case material		Titanium alloy connector, stainless steel inner housing, anodized aluminum outer case	
Connector		10-32 threaded coaxial	
Mounting method		Adhesive	
Calibration data supplied			
Sensitivity	mV/g		
Maximum transverse sensitivity	%		
Frequency response	%	20 Hz to 10 kHz	
	dB	10 kHz to 40 kHz	

Isotron® accelerometer Model 2256B

Model number definition



Accessories

Product	Description	2256B-10, -100
3061A 120	Cable assembly 10-32 to BNC, 10 ft	Included
32279	Mounting wax	Included

Notes

1. Maintain high levels of precision and accuracy using Endevco's factory calibration services. Call Endevco's inside sales force at 866-ENDEVCO for recommended intervals, pricing and turn-around time for these services as well as for quotations on our standard products.

Contact

ENDEVCO

www.endevco.com

Tel: +1 (866) ENDEVCO

[+1 (866) 363-3826]