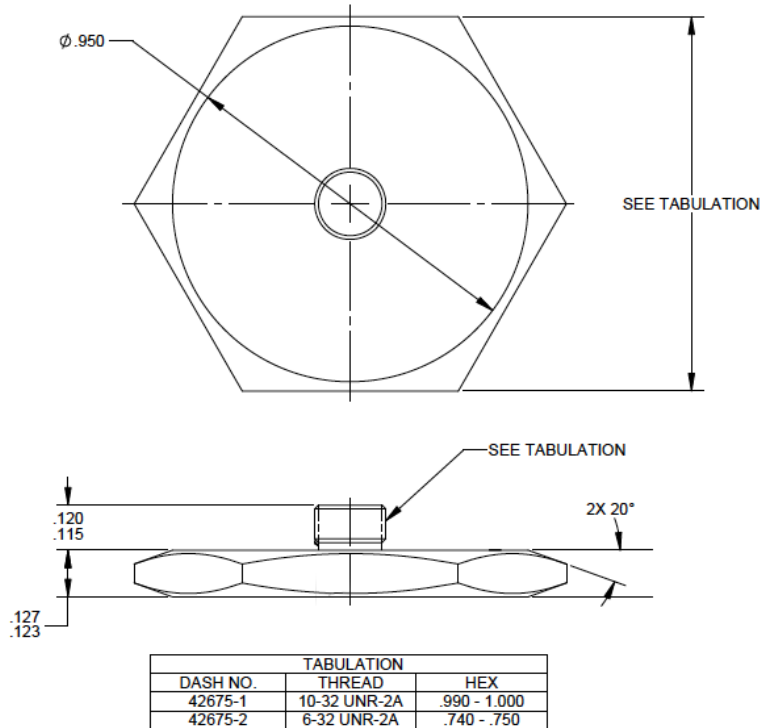


Mounting stud 42675

Accessory



Isolated mounting base, adhesive mount.

- 42675-1: compatible with 41A, 42A, 43A, and 45A series accelerometers
- 42675-2: compatible with 44A series accelerometers

Specifications

Thread size, accel side	42675-1: 10-32 42675-2: 6-32
Material	Anodized Aluminum
Weight (Grams)	42675-1: 4.7 42675-2: 4.8



Continued product improvement necessitates that Endevco reserve the right to modify these specifications without notice. Endevco maintains a program of constant surveillance over all products to ensure a high level of reliability. This program includes attention to reliability factors during product design, the support of stringent Quality Control requirements, and compulsory corrective action procedures. These measures, together with conservative specifications have made the name Endevco synonymous with reliability. 082719